

POINT OF SALES DISPLAY

ZZYSH® WINE

Create higher sales rates with the zzysh® Wine point of sale display.
It's designed to fit 12 zzysh® Wine Preservers, guarantees best visibility in the store shelves and helps to achieve high sales rates.



Flyer holder
(incl. 2 x 30 flyers)

Point of sale display
(fits 12 zzysh® Wine Preservers)

10 inch video screen
(incl. zzysh® demo movie)

BENEFITS

BENEFITS

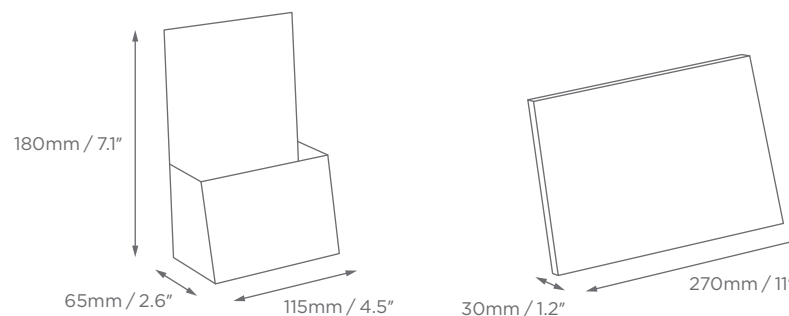
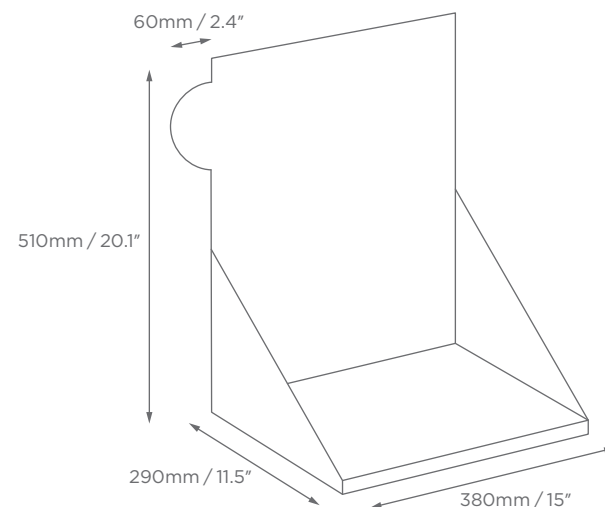
- Instant eye-catcher
- High sales rates
- Direct, self explanatory communication
- Easy installation

COMMUNICATION

- What is zzysh®
- Function
- Benefits
- Swiss innovation

MEASUREMENTS

Small and compact design:
All measurements below are in mm & inches.



PRICING

The point of sales is available in two variations:

Option 1 is without a video screen.

Option 2 is including a video screen.

The pricing below includes the point of sales tools only (without the zzysh® Wine Preservers). The zzysh® Wine Preserver pricing is according to the separated price lists and sales conditions.

OPTION 1

POS display + flyer holder

QTY	EUR
1 - 100	16 € per unit
101 - 500	15 € per unit
501 - 1000	13 € per unit
> 1000	12 € per unit

OPTION 2

POS display + flyer holder + video screen

QTY	EUR
1 - 100	81 € per unit
101 - 500	80 € per unit
501 - 1000	78 € per unit
> 1000	77 € per unit